



Vertically Integrated, Made in the USA

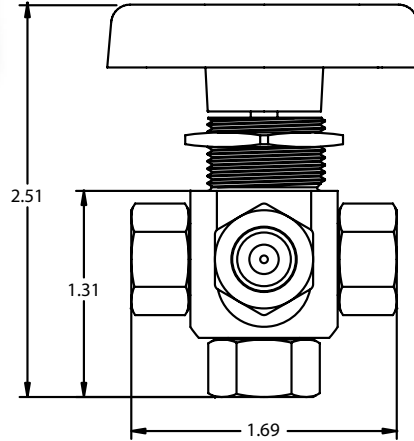
### THE SPECIALTY MFG. CO.

5858 Centerville Road • St. Paul, MN 55127-6804

Tel: (651) 653-0599 • Fax: (651) 653-0989

www.specialtymfg.com • e-mail: info@specialtymfg.com

## 835 SERIES FIVE-WAY VALVE



### Design Considerations

The 835 Ball Valve Series is designed to promote multiple configurations to fit the exact end use in 1/8" and 1/4" applications. The 835 Five-Way Series can be used as a diverter or selecting valve. The Ball has a 90 degree hole that connect the bottom port to one side port, with no flow to the other three side ports. The Detented Handle features 360 degree rotation which stops over the open port with a tactile and audible click. The required Panel Mount Hole is .750. The maximum panel thickness .375

Maximum Operating Pressure — 500 psi  
Maximum Operating Temperature — 180°F  
Ball Through Hole Diameter — .187

### Options

<b>Material Options</b>	Brass Body, Ball, Ends and Panel Nut Electroless Nickel Plated Brass Ball 302 Stainless Detent and Spring Teflon Seat Nylon Handle
<b>Seal Options</b>	Buna-N, Ethylene Propylene, Fluoroelastomer (Viton®)
<b>Inlet Options</b>	10-32 Female 1/8, 1/4 Female NPT Port Plug

### Example of How To Order

<b>Bottom Port</b> 1/8 FNPT	<b>Side Port</b> 1/8 FNPT	<b>Side Port</b> 1/8 FNPT	<b>Side Port</b> 1/8 FNPT	<b>Side Port</b> 1/8 FNPT	<b>Seal</b> Viton
--------------------------------	------------------------------	------------------------------	------------------------------	------------------------------	----------------------

**SMC Part Number:** 835-2F2F2F2F-F

The handle will lie over the open port when the valve is in the open position. SMC Part Numbers are a description of the valve as read left to right, Bottom Port to all four Side Ports.

Example: 835-2F2F2F2F-F = 1/8 FNPT x 1/8 FNPT x 1/8 FNPT x 1/8 FNPT x 1/8 FNPT

SMC will quote alternate materials or customize our standard products when quantities ensure competitive pricing.