



Vertically Integrated, Made in the USA

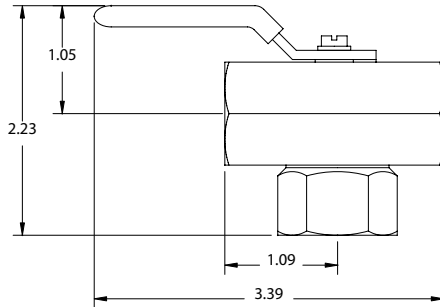
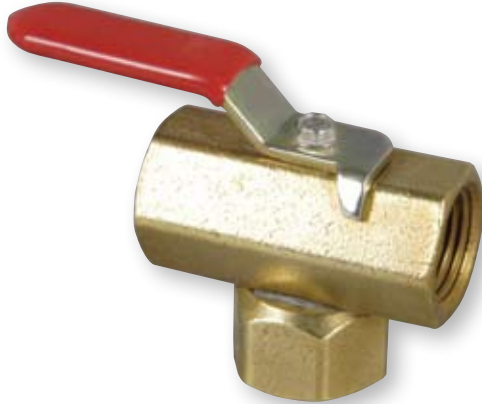
THE SPECIALTY MFG. CO.

5858 Centerville Road • St. Paul, MN 55127-6804

Tel: (651) 653-0599 • Fax: (651) 653-0989

www.specialtymfg.com • e-mail: info@specialtymfg.com

752 SERIES BALL VALVE



Design Considerations

The 752 Ball Valve Series promotes a compact design to cover 1/2" NPT applications. The 752 Three-Way Series can be used as a diverter, mixing or selecting valve. The bottom port is common and is the designated Inlet. The handle has 90 degree rotation and lies over one of the Side ports in the open position. As the handle is rotated from 90 degrees, there is partial flow to both Side ports. There is no complete shut-off to both the side ports at the same time.

- Maximum Operating Pressure — 500 psi
- Maximum Operating Temperature — 180°F
- Ball Through Hole Diameter — .375

Options

Material Options	Brass Body and Ends, Nickel Plated Brass Ball, Teflon® Seats, Stainless Handle Screw
Seal Options	Buna-N, Ethylene Propylene, Fluoroelastomer (Viton®), Neoprene
End Options	1/2 Female x 1/2 Female x 1/2 Female NPT
Handle Options	Stamped Steel Handle with Red Sleeve (Standard)
Plating Options	No Plating (Standard), Electroless Nickel

Example of How To Order

Body 1/2 FNPT x 1/2 FNPT x 1/2 FNPT	Seal Buna-N	Plating ENP
---	-----------------------	-----------------------

SMC Part Number: 752-8F8F8F-B,ENP

The handle will lie over one the open ports when the valve is in the Full Open position. SMC Part Numbers are a description of the valve as read left to right, Bottom Inlet to Side Outlet to Side Outlet.

Example: 752-8F8F8F-B,ENP = 1/2 FNPT Inlet x 1/2 FNPT Outlet x 1/2 FNPT Outlet

SMC will quote alternate materials or customize our standard products when quantities ensure competitive pricing.