



Vertically Integrated, Made in the USA

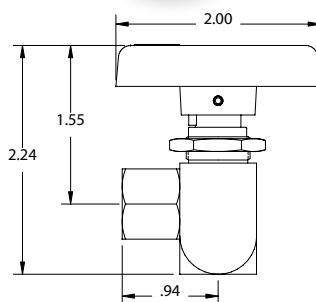
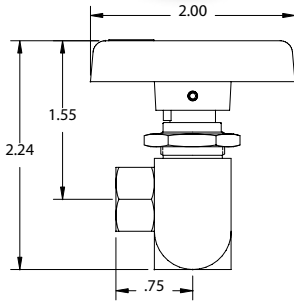
THE SPECIALTY MFG. CO.

5858 Centerville Road • St. Paul, MN 55127-6804

Tel: (651) 653-0599 • Fax: (651) 653-0989

www.specialtymfg.com • e-mail: info@specialtymfg.com

732 SERIES BALL VALVE



Design Considerations

The 732 Series Two-Way Right Angle Ball Valve design promotes multiple configurations to fit the exact end use application. The 732 Two-Way Series will support flow and pressure in either direction. The handle has a 90 degree rotation and lies over the side port when the valve is open. The panel mount requires a .625 hole and is supplied with one Hex brass nut. The maximum panel thickness is .125. UL configurations are available and rated to 250 psi. UR configurations are available and rated to 500 psi.

- Maximum Operating Pressure — 500 psi
- Maximum Operating Temperature — 180°F
- Ball Through Hole Diameter — .218

Options

Material Options	Brass Body and Ends, Nickel Plated Brass Ball, Teflon® Seats, Zinc Die Cast Stem, Stainless Stem Screw
Seal Options	Buna-N, Ethylene Propylene, Fluoroelastomer (Viton®), Neoprene
Body Options	1/8, 1/4 FNPT
End Options	1/8, 1/4 Female NPT 1/8 Male NPT
Handle Options	2" Black Nylon Handle (Standard), 2" Red Nylon, 2" Yellow Nylon, 2" White Nylon, 2-1/2 Black Nylon, 2-1/2 Red Nylon, 2-1/2 Blue Nylon, No Handle
Plating Options	No Plating (Standard), Electroless Nickel

Example of How To Order

Bottom Inlet End 1/8 FNPT	Side Outlet End 1/4 FNPT	Stem Seal Buna-N	Plating ENP	Handle RED HDL
-------------------------------------	------------------------------------	----------------------------	-----------------------	--------------------------

SMC Part Number: 732-2F4F-B,ENP,RED HDL

The handle will lie over the side port when the valve is in the open position. SMC Part Numbers are a description of the valve as read bottom, then side port, Inlet to Outlet.

Example: 732-2F4F-B,ENP,RED HDL = 1/8 FNPT Inlet x 1/4 FNPT Outlet

SMC will quote alternate materials or customize our standard products when quantities ensure competitive pricing.