



Vertically Integrated, Made in the USA

THE SPECIALTY MFG. CO.

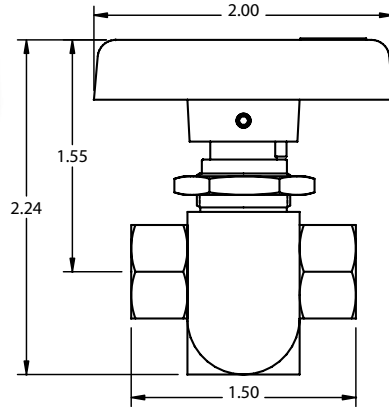
5858 Centerville Road • St. Paul, MN 55127-6804

Tel: (651) 653-0599 • Fax: (651) 653-0989

www.specialtymfg.com • e-mail: info@specialtymfg.com

730 SERIES THREE-WAY BALL VALVE

Design Considerations



The 730 Three-Way Ball Valve Series is designed to promote multiple configurations to fit the exact end use application. The 730 Three-Way Series can be used as a diverter or selecting valve, the bottom port is common. The handle has 180 degree rotation and lies over the open port. When the handle is rotated 90 degrees from either port, flow is shut off to both ports. The panel mount requires a .625 hole and is supplied with one Hex brass nut. The maximum panel thickness is .125. UL configurations are available and rated to 250 psi. UR configurations are available and rated to 500 psi.

Maximum Operating Pressure — 500 psi

Maximum Operating Temperature — 180°F

Ball Through Hole Diameter — .218

Options

Material Options	Brass Body and Ends, Nickel Plated Brass Ball, Teflon Seats, Stainless Handle Screw
Seal Options	Buna-N, Ethylene Propylene, Fluoroelastomer (Viton®), Neoprene
Body Options	1/8, 1/4 Female NPT
End Options	1/8, 1/4 Female NPT 1/8 Male NPT
Handle Options	2" Black Nylon (Standard), 2" Yellow Nylon, 2" Red Nylon, 2" White Nylon, 2-1/2" Black Nylon Handle, 2-1/2" Red Nylon, 2-1/2" Blue Nylon, No Handle
Plating Options	No Plating (Standard), Electroless Nickel

Example of How To Order

Body (Inlet End) 1/8 FNPT	Side (Outlet End) 1/4 FNPT	Side (Outlet End) 1/4 FNPT	Stem Seal Buna-N	Plating ENP	Handle 2" RED HDL
-------------------------------------	--------------------------------------	--------------------------------------	----------------------------	-----------------------	-----------------------------

SMC Part Number: 730-2F4F4F-B,ENP,2" RED HDL

The handle will lie over the port when the valve is in the Full Open position. SMC Part Numbers are a description of the valve as read left to right, Inlet to Outlet to Outlet.

Example: 730-2F4F4F-B,ENP,2" RED HDL = 1/8 FNPT Inlet x 1/4 FNPT Outlet x 1/4 FNPT Outlet

SMC will quote alternate materials or customize our standard products when quantities ensure competitive pricing.