



Vertically Integrated, Made in the USA

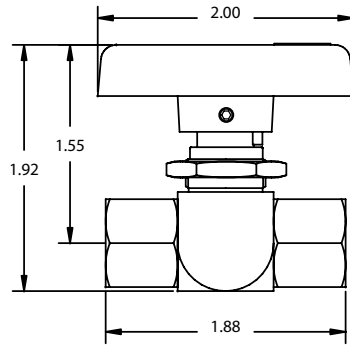
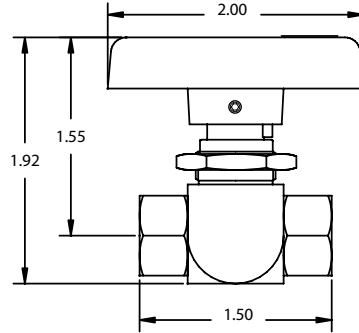
THE SPECIALTY MFG. CO.

5858 Centerville Road • St. Paul, MN 55127-6804

Tel: (651) 653-0599 • Fax: (651) 653-0989

www.specialtymfg.com • e-mail: info@specialtymfg.com

730 SERIES TWO-WAY BALL VALVE



Design Considerations

The 730 Two-Way Ball Valve Series is designed to promote multiple configurations to fit the exact end use application. The panel mount requires a .625 hole and is supplied with one Hex brass nut. The maximum panel thickness is .125. UL configurations are available and rated to 250 psi. UR configurations are available and rated to 500 psi.

Maximum Operating Pressure — 500 psi
Maximum Operating Temperature — 180°F
Ball Through Hole Diameter — .218

Options

Material Options	Brass Body and Ends, Nickel Plated Brass Ball, Teflon® Seats, Zinc Die Cast Stem, Stainless Stem Screw
Seal Options	Buna-N, Ethylene Propylene, Fluoroelastomer (Viton®), Neoprene
End Options	1/8, 1/4 Female NPT 1/8 Male NPT
Handle Options	2" Black Nylon Handle (Standard), 2" Red Nylon, 2" Yellow Nylon, 2" White Nylon, 2-1/2" Black Nylon, 2-1/2" Red Nylon, 2-1/2" Blue Nylon, No Handle
Plating Options	No Plating (Standard), Electroless Nickel

Example of How To Order

Inlet End 1/8 FNPT	Outlet End 1/4 FNPT	Stem Seal Buna-N	Plating ENP	Handle 2" RED HDL
------------------------------	-------------------------------	----------------------------	-----------------------	-----------------------------

SMC Part Number: 730-2F4F-B,ENP,2" RED HDL

The handle will lie over the inlet port when the valve is in the Full Open position. SMC Part Numbers are a description of the valve as read left to right, Inlet to Outlet.

Example: 730-2F4F-B,ENP,2" RED HDL = 1/8 FNPT Inlet x 1/4 FNPT Outlet

SMC will quote alternate materials or customize our standard products when quantities ensure competitive pricing.