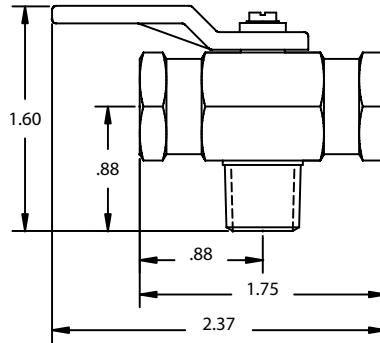


727 SERIES BALL VALVE



Design Considerations

The 727 Ball Valve Series is designed to fit the exact end use in 1/8" and 1/4" applications. The 727 Three-Way Series can be used as a diverter or selecting valve. The bottom port is common and is the designated Inlet. The handle has 360 degree rotation and lies over the open port. When the handle is rotated 90 degrees from either port, flow is shut off to both Side ports.

Maximum Operating Pressure — 500 psi
 Maximum Operating Temperature — 180°F
 Ball Through Hole Diameter — .218

Options

Material Options	Brass Body and Ends, Nickel Plated Brass Ball, Teflon® Seats, Stainless Handle Screw
Seal Options	Buna-N, Ethylene Propylene, Fluoroelastomer (Viton®), Neoprene
Body Options	1/4 Male x 1/4 Female x 1/4 Female NPT 1/8 Male x 1/8 Female x 1/8 Female NPT
Handle Options	Zinc Die Cast - No Stops (Standard)
Plating Options	No Plating (Standard), Electroless Nickel

Example of How To Order

Inlet End 1/4 MNPT	Outlet End 1/4 FNPT	Outlet End 1/4 FNPT	Seal Buna-N	Plating ENP
------------------------------	-------------------------------	-------------------------------	-----------------------	-----------------------

SMC Part Number: 727-4M4F4F-B,ENP

The handle will lie over the open port when the valve is in the Full Open position. SMC Part Numbers are a description of the valve as read left to right, Bottom Inlet to Side Outlet to Side Outlet.

Example: 727-4M4F4F-B,ENP = 1/4 MNPT Inlet x 1/4 FNPT Outlet x 1/4 FNPT Outlet

SMC will quote alternate materials or customize our standard products when quantities ensure competitive pricing.