



Vertically Integrated, Made in the USA

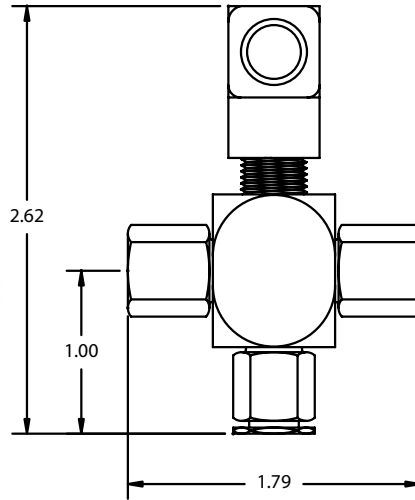
THE SPECIALTY MFG. CO.

5858 Centerville Road • St. Paul, MN 55127-6804

Tel: (651) 653-0599 • Fax: (651) 653-0989

www.specialtymfg.com • e-mail: info@specialtymfg.com

711 SERIES ROLOVER VALVE



Design Considerations

The 711 Series Rolovalve promotes multiple configurations to fit the exact end use application. The 711 Rolovalve comes standard with a 90 Degree Elbow and is commonly used as a selector valve allowing the user to switch easily between two different spray nozzles. The 711 Rolovalve on a typical pressure wash application would utilize the economical SMC S/T Series Nozzles using a high pressure narrow pattern stream for wash and low pressure wide pattern stream for rinse. Combining the 711 Series Rolovalve with the SMC 588 Injector and S/T Series Nozzles allows for easy selection between a low pressure soap application and high pressure rinse.

Maximum Operating Pressure — 1500 psi

Maximum Operating Temperature — 180°F

Material Options Nickel Plated Brass Body, End, Stem and Elbow
Teflon® Seats

Seal Options Buna-N, Ethylene Propylene, Fluoroelastomer (Viton®)

Inlet End Options 1/4 Male NPT – 90 Degree Elbow
1/8, 1/4 Female NPT – 90 Degree Elbow

Outlet End Options 1/8, 1/4 Female NPT

Repair Kit 711 Seat & Buna Seal Kit

SMC Part Number - 3200990

Inlet End
1/4 FNPT

Output End
1/4 FNPT

Output End
1/8 FNPT

Seal
Buna-N

SMC Part Numbers are a description of the Rolovalve Inlet and Outlet Ends, and Seal Material as read from left to right. Example: 711-4F4F2F-BT,w/2F4F EL = 1/4 FNPT Inlet, 1/4 FNPT Outlet, 1/8 FNPT Outlet, Buna-N Seals

SMC will quote alternate materials or customize our standard products when quantities ensure competitive pricing.