



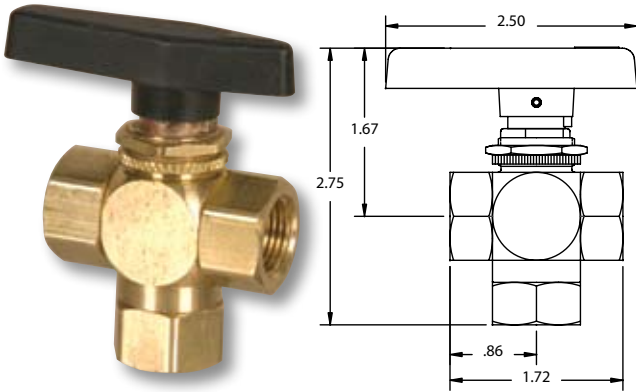
Vertically Integrated, Made in the USA

THE SPECIALTY MFG. CO.

5858 Centerville Road • St. Paul, MN 55127-6804
 Tel: (651) 653-0599 • Fax: (651) 653-0989
 www.specialtymfg.com • e-mail: info@specialtymfg.com

701 SERIES THREE-WAY BALL VALVE

Design Considerations



The 701 Ball Three-Way Valve Series is designed to promote multiple configurations to fit the exact end use application. The 701 Three-Way Series can be used as a diverter, selecting or mixing valve, the bottom port is common. The standard handle has 180 degree rotation and lies over the open port. When the handle is rotated 90 degrees from either port, flow is shut off to both ports. The panel mount requires a .812 hole and is supplied with one Knurled and one Hex brass nut. The maximum panel thickness is .150. UL configurations are available and rated to 250 psi. UR configurations are available and rated to 500 psi.

- Maximum Operating Pressure — 500 psi
- Maximum Operating Temperature — 180°F
- Ball Through Hole Diameter — .375

Options

Material Options	Brass Body and Ends, Nickel Plated Brass Ball, Teflon Seats, Zinc Die Cast Stem, Stainless Stem Screw
Seal Options	Buna-N, Ethylene Propylene, Fluoroelastomer (Viton®), Neoprene
Ball Options	180 Degree Handle Rotation with complete shut-off (Standard) 90 Degree Handle Rotation with no complete shut-off T-Hole ball (all ports open or all ports shut-off)
End Options	1/8, 1/4, 3/8, 1/2 Female NPT 3/8 Compression 1/4 Male Flare
Handle Options	2-1/2" Black Nylon Handle (Standard), 2-1/2" Red Nylon, 2-1/2" Blue Nylon, 2" Black Nylon, 2" Yellow Nylon, 2" Red Nylon, 2" White Nylon, No Handle
Plating Options	No Plating (Standard), Electroless Nickel

Example of How To Order

Inlet End 1/8 FNPT	Outlet End 1/4 FNPT	Outlet End 1/4 FNPT	Stem Seal Buna-N	Ball 180 Ball (Standard)	Plating ENP	Handle 2" RED HDL
------------------------------	-------------------------------	-------------------------------	----------------------------	---------------------------------------	-----------------------	-----------------------------

SMC Part Number: 701-2F4F4F-B,ENP,2" RED HDL

The standard handle will lie over the open port when the valve is in the Full Open position. SMC Part Numbers are a description of the valve as read left to right, Inlet to Outlet to Outlet.
 Example: 701-2F4F4F-B,ENP,2" RED HDL = 1/8 FNPT Inlet x 1/4 FNPT Outlet x 1/4 FNPT Outlet

SMC will quote alternate materials or customize our standard products when quantities ensure competitive pricing.