

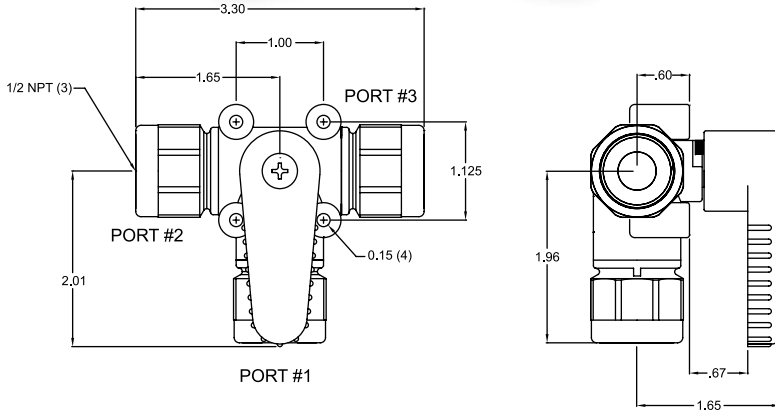


Vertically Integrated, Made in the USA

THE SPECIALTY MFG. CO.

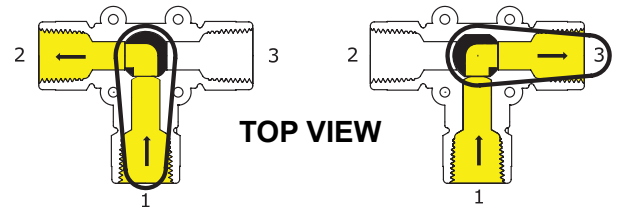
5858 Centerville Road • St. Paul, MN 55127-6804
 Tel: (651) 653-0599 • Fax: (651) 653-0989
 www.specialtymfg.com • e-mail: info@specialtymfg.com

639 SERIES BALL VALVE



Design Considerations

The 639 Series Three-Way Ball Valve design promotes multiple configurations to fit the exact end use application. The 639 Series Valve is designed as a panel mount diverter valve. The middle port is common. The 90 degree handle rotation directs the flow to the open port, shutting off the other port completely. The handle can be orientated in four positions and can be installed or removed while the valve is under pressure. The panel mount requires a .750 hole through a maximum panel thickness of .170. Two of the four available screw boss locations will secure the valve. Panel mount screws are not supplied.



Port 1 and 2 are connected
 Port 3 is shut off completely

Handle rotated 90 degrees
 Port 1 and 3 are connected, 2 is off

Maximum Operating Pressure — 125 psi
 Maximum Operating Temperature — 140°F
 Ball Through Hole Diameter — .375

Options

Material Options	Black Filled Polypropylene Body and Ends, Makroblend® Ball	
Seal Options	Buna-N, Ethylene Propylene, Fluoroelastomer (Viton®)	
End Options	1/8, 1/4, 3/8 Male NPT 1/4, 3/8, 1/2 Female NPT 1/4, 3/8 SMC Push-To-Connect	1/8, 1/4, 3/8, 1/2 Hose Barb Tapered Barb 1/4, 3/8 JACO
Handle Options	Blue ABS (Standard), Black, White, Red, No Handle	

Example of How To Order

Body Material Black Polypropylene	Inlet End 1/4 MNPT	Outlet End 1/4 FNPT	Outlet End 1/4 FNPT	Seal Buna-N	Handle Red
---	------------------------------	-------------------------------	-------------------------------	-----------------------	----------------------

SMC Part Number: FP 639-4M4F4F-B,RED HDL

The Standard Handle will lie over the Inlet Port with the ball connecting the Inlet and left side Outlet Port. SMC Part Numbers of the valve as read left to right, Inlet to Outlet to Outlet
 Example: FP 639-4M4F4F-B, RED HDL = 1/4 MNPT x 1/4 FNPT x 1/4 FNPT

SMC will quote alternate materials or customize our standard products when quantities ensure competitive pricing.