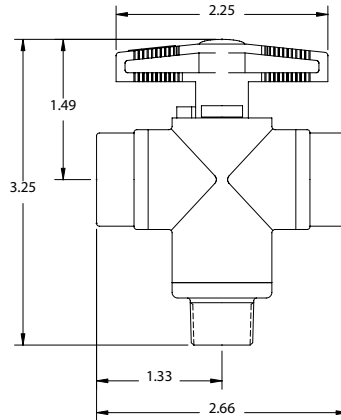
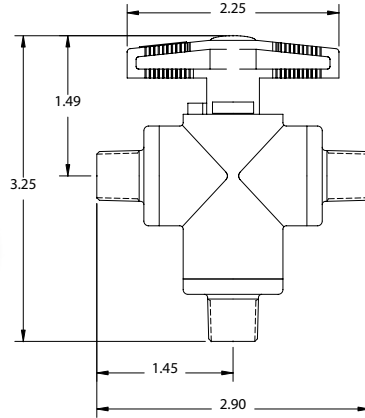


629 SERIES BALL VALVE



Design Considerations

The 629 Series Three-Way Trunnion Ball Valve design promotes multiple configurations to fit the exact end use application. The bottom port is common and the 629 can be used as a diverter or selecting valve. The handle has 180 degree rotation and lies over the open port. When the handle is rotated 90 degrees from either port, flow is shut off to both ports. The T-Handle and Ball are one piece extending through the valve body and sealed on the top and bottom. The colored handle center indicates the seal material. Black = Buna-N, Red = EP, Blue = Fluoroelastomer (Viton®) PVC with Buna-N or Ethylene Propylene seals is NSF Standard 42 Certified.

Maximum Operating Pressure — 125 psi
Maximum Operating Temperature — 140°F
Ball Through Hole Diameter — .375

Options

| | |
|-------------------------|--|
| Material Options | Body, Ball and Handle - Gray PVC (Standard) |
| Seal Options | Buna-N, Ethylene Propylene, Fluoroelastomer (Viton®) |
| End Options | 1/4, 3/8 Male and Female NPT |

Example of How To Order

| | | | | |
|-----------------------------|------------------------------|-------------------------------|-------------------------------|----------------------------|
| Body Material PVC | Inlet End 1/4 MNPT | Outlet End 1/4 FNPT | Outlet End 1/4 FNPT | Stem Seal Buna-N |
|-----------------------------|------------------------------|-------------------------------|-------------------------------|----------------------------|

SMC Part Number: PVC 629-4M4F4F-B

The handle will lie over the open port when the valve is in the Full Open position. SMC Part Numbers are a description of the valve as read left to right, Inlet to Outlet to Outlet.

Example: PVC 629-4M4F4F-B = 1/4 MNPT Inlet x 1/4 FNPT Outlet x 1/4 FNPT Outlet

SMC will quote alternate materials or customize our standard products when quantities ensure competitive pricing.