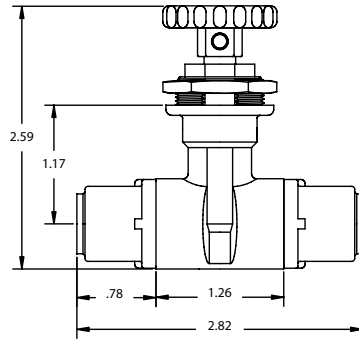
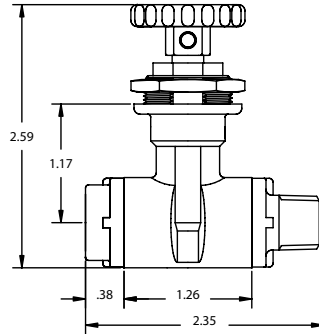


## 586 SERIES NEEDLE VALVE



### Design Considerations

The 586 Series Needle Valve compact design promotes multiple configurations to fit the exact end use application. The 586 Needle Valve Series is rated to 125 psi and has a 2.5 Degree Tip. The standard 586 Series Needle Valve has a Teflon® stem seal and Black Filled Polyester Knob. The panel mount requires a .875 hole and is supplied with one Black Nylon Hex Nut. The maximum panel thickness is .125.

Maximum Operating Pressure — 125 psi  
 Maximum Operating Temperature — 140°F  
 Through Hole Diameter — .175

### Options

<b>Material Options</b>	Body, Ends and Needle - Gray PVC (Standard), White PVC, White Polypropylene, Black PVDF (Kynar®) Panel Mount Nut – Black Nylon Handle – Black Polyester	
<b>Seal Options</b>	Teflon® (Standard), Ethylene Propylene	
<b>End Options</b>	1/8, 1/4 Male and Female NPT 1/8, 1/4, 5/16, 3/8, 1/2 Hose Barb 1/4, 3/8 SMC Push-To-Connect	3/8 BIB (Smooth Barb) 1/8, 1/4 JACO
<b>Needle Options</b>	2.5 Degree (Standard), 5 Degree, 45 Degree	

### Example of How To Order

**Body Material**  
White Polypropylene

**Inlet End**  
1/4 FNPT

**Outlet End**  
1/4 Hose Barb

**Seal**  
Teflon®

**SMC Part Number:** WFP NDL 586-4F4B-T

SMC Part Numbers are a description of the valve as read left to right, Inlet to Outlet.  
 Example: WFP NDL 586-4F4B-T = 1/4 FNPT Inlet x 1/4 Hose Barb Outlet

SMC will quote alternate materials or customize our standard products when quantities ensure competitive pricing.