

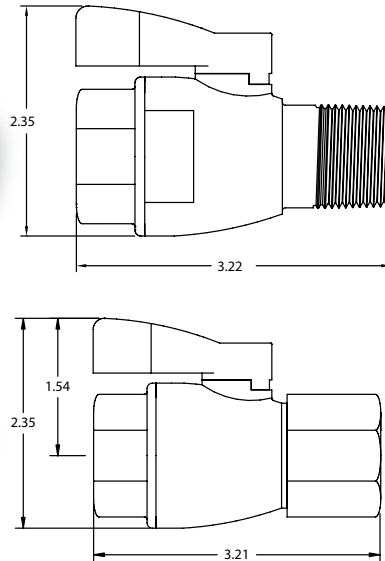


Vertically Integrated, Made in the USA

THE SPECIALTY MFG. CO.

5858 Centerville Road • St. Paul, MN 55127-6804
 Tel: (651) 653-0599 • Fax: (651) 653-0989
 www.specialtymfg.com • e-mail: info@specialtymfg.com

074 SERIES BALL VALVE



Design Considerations

The 074 Series Two-Way Ball Valve design promotes multiple configurations to fit the exact end use application. The Inlet Seal is Santoprene. The Outlet Seal is Teflon®. Black Filled Polypropylene is the standard material, Gray PVC and White Filled Polypropylene are available for chemical resistance applications. Gray PVC and White Polypropylene are NSF Standard 61 approved materials. The Lever Handle is available in Blue, Gray, Black or White.

Maximum Operating Pressure — 125 psi
Maximum Operating Temperature — 140°F
Ball Through Hole Diameter — .750

Options

Material Options	Body and Ends - Black Filled Polypropylene (Standard), Gray PVC, White Polypropylene Ball and Handle - Blue PVC Inlet Seal – Santoprene Outlet Seal - Teflon® Stem Screw - Stainless
Seal Options	Buna-N, Ethylene Propylene, Fluoroelastomer (Viton®)
Inlet End Options	3/4 Female NPT, 3/4 Female Garden Hose
Outlet End Options	3/4 Male and Female NPT, 3/4 Male Garden Hose
Handle Options	Gray PVC, Blue PVC, White Polypropylene, Black Polypropylene

Example of How To Order

Body Material PVC	Inlet End 3/4 FNPT	Outlet End 3/4 MNPT	Stem Seal Buna-N	Handle Blue
-----------------------------	------------------------------	-------------------------------	----------------------------	-----------------------

SMC Part Number: PVC 074-12F12M-B,BLUE HDL

The handle will lie over the Inlet port when the valve is in the open position. SMC Part Numbers are a description of the valve as read left to right, Inlet to Outlet.

Example: PVC 074-12F12M-B,BLUE HDL = 3/4 FNPT Inlet x 3/4 MNPT Outlet

SMC will quote alternate materials or customize our standard products when quantities ensure competitive pricing.