

THE SPECIALTY MFG. CO.

Custom Is Our Specialty

5858 Centerville Road
St. Paul, MN 55127

ISO 9001:2015
MADE IN THE USA

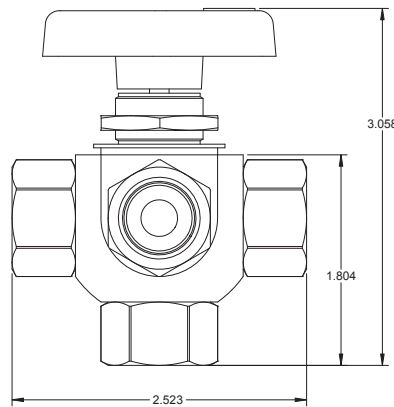
We welcome your questions:

Contact Customer Service: 651-653-0599

Email: info@specialtymfg.com

Or use our live chat online: www.specialtymfg.com

855 Series Five-Way Valve



DESIGN CONSIDERATIONS

The **845 Ball Valve Series** is designed to promote multiple configurations to fit the exact end use in 3/8" applications. The **845 Five-Way Series** can be used as a diverter or selecting valve. The ball has a 90 degree hole that connects the bottom port to one side port, with no flow to the other three side ports. Side ports can also be plugged. The detented handle features 360 degree rotation which stops over the open port with a tactile and audible click.

A four way valve can also be configured. The required panel mount hole is .750. The maximum panel thickness is .375.

Maximum Operating Pressure: 500 psi

Maximum Operating Temperature: 180°F

Ball Through Hole Diameter: .485

OPTIONS

MATERIAL OPTIONS: Brass or Aluminum Body, Ball, Ends and Panel Nut, Electroless Nickel Plated Brass Ball 302 Stainless Detent and Spring Teflon Seat
Nylon Handle

SEAL OPTIONS: Buna-N, Ethylene Propylene, Fluoroelastomer (Viton®)

END OPTIONS: 1/2 Female NPT, Port Plug

EXAMPLE OF HOW TO ORDER

BOTTOM PORT 1/2 FNPT	SIDE PORT 1/2 FNPT	SIDE PORT 1/2 FNPT	SIDE PORT 1/2 FNPT	SIDE PORT 1/2 FNPT	SEAL Viton®
--------------------------------	------------------------------	------------------------------	------------------------------	------------------------------	-----------------------

SPECIALTY MFG. PART NUMBER: 855-8F8F8F8F8F-F

The handle will lie over the open port when the valve is in the open position. Specialty Mfg. Part Numbers are a description of the valve as read left to right, bottom port to all four side ports.

Specialty Mfg. will quote alternate materials or customize our standard products when quantities ensure competitive pricing.



WARNING: This product can expose you to chemicals including Carbon Black which is known to the state of California to cause cancer. For more information go to WWW.p65.ca.gov