

# THE SPECIALTY MFG. CO.

5858 Centerville Road  
St. Paul, MN 55127

Custom Is Our Specialty

ISO 9001:2015

MADE IN THE USA

The Specialty Mfg. Co. will quote alternate materials or customize our standard products when quantities ensure competitive pricing.  
**Contact Customer Service** at (651) 653-0599  
**FAX** - (651) 653-0989  
**E-Mail** - info@specialtymfg.com

## MANIFOLD CARTRIDGE TOGGLE VALVE (10-32 Female Input Port) 10-32, 1/16" to 1/8" BARB

### Example of how to order



Type	Flow Option	Seal	Inlet Port	Outlet Port	Handle
Toggle Activated, Detented	3-Way (Exhausting), Normally Closed	Buna	10-32 Female	.094 (X2) Orifice	Black Nylon

**Part Numbers** are a description of the valve as read left to right, Inlet Port to Outlet Port.

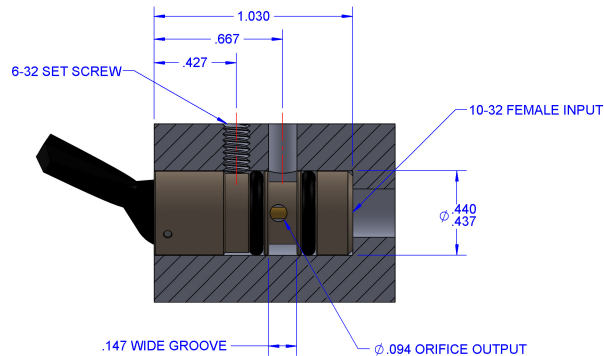
**MTA3NC-B,10-32F,.094,B=** Manifold Cartridge Body, Toggle Activated Detented, 3-Way Exhausting, Normally Closed, Buna Seals, 10-32 Female Inlet x .094 (X2) Orifice Outlet, Black Nylon Toggle Handle

### Design Considerations

- The Manifold Cartridge Toggle Valves are a compact Normally Closed design
- Detented or Momentary Toggle Handle
- 10-32 Female Input, .094 (X2) Orifice Output
- 2-Way (Non-Exhausting) or 3-Way (Exhausting)
- The 3-Way (Exhausting) Toggle Valves relieve air around the handle

### Specifications

### Body Cavity Dimensions



<b>Material</b>	BODY - Electroless Nickel Plated Brass, STEM - Brass
<b>Type</b>	Toggle Activated (Detented), Toggle Momentary (Spring Return)
<b>Flow Option</b>	2-Way (Non-Exhausting) Normally Closed, 3-Way (Exhausting) Normally Closed
<b>Seal Option</b>	Buna-N, Ethylene Propylene, Fluoroelastomer (Viton®)
<b>Input Port</b>	10-32 Female, 10-32 Male 1/16 Barb, 3/32 Barb, 1/8 Barb
<b>Output Port</b>	.094 Orifice (X2)
<b>Toggle Style and Color</b>	Black Nylon, Gray Nylon, Light Gray Nylon Electroless Nickel Plated Brass, Short Electroless Nickel Plated Brass
<b>Maximum Operating Temperature</b>	180 °F
<b>Flow Rate</b>	2.5 SCFM at 50 psi
<b>Toggle Actuation Force - Tested at 50 psi</b>	<b>Detented</b> Standard Spring - 9 oz <b>Momentary</b> Standard Spring - 1 lb 3 oz
<b>Compatibility Statement</b>	It is the sole responsibility of the system designer and user to select products suitable for their specific application requirements and to ensure proper installation, operation, and maintenance of these products. Material compatibility, product ratings and application details should be considered in the selection. Improper selection or use of products described herein can cause personal injury or product damage.
<b>Pricing and Minimum Order Requirement</b>	Our Minimum Order Requirements are \$150.00 Domestic - \$250.00 International. Pricing is based on the quantity ordered. <b>Please indicate a typical order quantity or Estimated Annual Usage when requesting pricing.</b>

