

THE SPECIALTY MFG. CO.

Custom Is Our Specialty

5858 Centerville Road
St. Paul, MN 55127

ISO 9001:2015
MADE IN THE USA

The Specialty Mfg. Co. will quote alternate materials or customize our standard products when quantities ensure competitive pricing.
Contact Customer Service at (651) 653-0599
FAX - (651) 653-0989
E-Mail - info@specialtymfg.com

MANIFOLD CARTRIDGE TOGGLE VALVE (0.201 Input Port)



Example of how to order

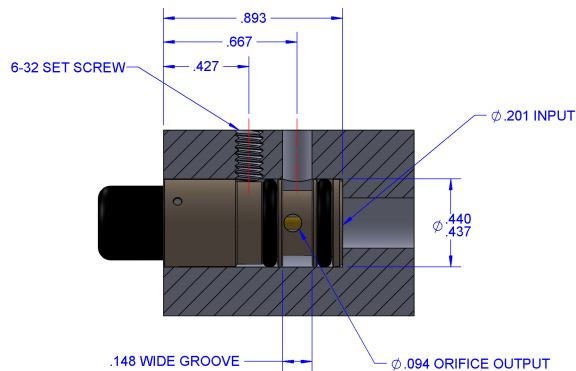
Type	Flow Option	Seal	Inlet Port	Outlet Port	Handle
Toggle Activated, Detented	3-Way (Exhausting), Normally Closed	Buna	.201 Orifice	.094 (X2) Orifice	Black Nylon

Part Numbers are a description of the valve as read left to right, Inlet Port to Outlet Port.
MTA3NC-B,10-32F,.094,B= Manifold Cartridge Body, Toggle Activated Detented, 3-Way Exhausting, Normally Closed, Buna Seals, 0.201 Orifice Inlet x 0.094 (X2) Orifice Outlet, Black Nylon Toggle Handle

Design Considerations

- The Manifold Cartridge Toggle Valves are a compact Normally Closed design
- Detented or Momentary Toggle Handle
- .201 Input, .094 (X2) Orifice Output
- 2-Way (Non-Exhausting) or 3-Way (Exhausting)
- The 3-Way (Exhausting) Toggle Valves relieve air around the handle

Body Cavity Dimensions



Specifications

Material	BODY - Electroless Nickel Plated Brass, STEM - Brass
Type	Toggle Activated (Detented), Toggle Momentary (Spring Return)
Flow Option	2-Way (Non-Exhausting) Normally Closed, 3-Way (Exhausting) Normally Closed
Seal Option	Buna-N, Ethylene Propylene, Fluoroelastomer (Viton®)
Input Port	.201 Orifice
Output Port	.094 Orifice (X2)
Toggle Style and Color	Black Nylon, Gray Nylon, Light Gray Nylon Electroless Nickel Plated Brass, Short Electroless Nickel Plated Brass
Spring	STANDARD SPRING - 302 Stainless, 50% SPRING - 302 Stainless
Maximum Operating Temperature	180 °F
Flow Rate	2.5 SCFM at 50 psi
Toggle Actuation Force - Tested at 50 psi	Detented Standard Spring - 9 oz Momentary Standard Spring - 1 lb 3 oz
Compatibility Statement	It is the sole responsibility of the system designer and user to select products suitable for their specific application requirements and to ensure proper installation, operation, and maintenance of these products. Material compatibility, product ratings and application details should be considered in the selection. Improper selection or use of products described herein can cause personal injury or product damage.
Pricing and Minimum Order Requirement	Our Minimum Order Requirements are \$150.00 Domestic - \$250.00 International. Pricing is based on the quantity ordered. Please indicate a typical order quantity or Estimated Annual Usage when requesting pricing.