

THE SPECIALTY MFG. CO.

5858 Centerville Road
St. Paul, MN 55127

Custom Is Our Specialty

ISO 9001:2015

MADE IN THE USA

The Specialty Mfg. Co. will quote alternate materials or customize our standard products when quantities ensure competitive pricing.
Contact Customer Service at (651) 653-0599
FAX - (651) 653-0989
E-Mail - info@specialtymfg.com

MANIFOLD CARTRIDGE PUSH BUTTON VALVE (10-32 Female Input Port) 10-32, 1/16" to 1/8" BARB

Example of how to order



Type	Flow Option	Seal	Inlet Port	Outlet Port	Handle
Push Button, Momentary	3-Way (Exhausting), Normally Closed	Buna	10-32 Female	.094 (X2) Orifice	Black Nylon

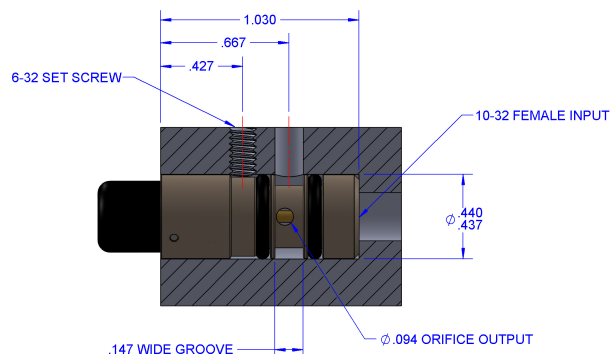
Part Numbers are a description of the valve as read left to right, Inlet Port to Outlet Port.

PBMTA3NC-B,10-32F,.094,B= Manifold Cartridge Body, Push Button Momentary, 3-Way Exhausting, Normally Closed, Buna Seals, 10-32 Female Inlet x .094 (X2) Orifice Outlet, Black Nylon Push Button Handle

Design Considerations

- The Push Button Manifold Cartridge Valves are a compact Normally Closed design
- Momentary Push Button Handle
- 10-32 Female Input, .094 (X2) Orifice Output
- 2-Way (Non-Exhausting) or 3-Way (Exhausting)
- The 3-Way (Exhausting) Push Button Valves relieve air around the button

Body Cavity Dimensions



Specifications

Material	BODY - Electroless Nickel Plated Brass, STEM - Brass
Flow Option	2-Way (Non-Exhausting) Normally Closed, 3-Way (Exhausting) Normally Closed
Seal Option	Buna-N, Ethylene Propylene, Fluoroelastomer (Viton®)
Input Port	10-32 Female, 10-32 Male 1/16 Barb, 3/32 Barb, 1/8 Barb
Output Port	.094 Orifice (X2)
Push Button Style & Color	Black Nylon, Gray Nylon, Light Gray Nylon, White Nylon, Blue Nylon, Red Nylon New Style Black Nylon Black Delrin Ball Electroless Nickel Plated Brass
Spring	STANDARD SPRING - 302 Stainless, 50% SPRING - 302 Stainless
Maximum Operating Temperature	180 °F
Flow Rate	2.5 SCFM at 50 psi
Actuation Force - Tested at 50 psi	Standard Spring - 4 lbs
Compatibility Statement	It is the sole responsibility of the system designer and user to select products suitable for their specific application requirements and to ensure proper installation, operation, and maintenance of these products. Material compatibility, product ratings and application details should be considered in the selection. Improper selection or use of products described herein can cause personal injury or product damage.
Pricing and Minimum Order Requirement	Our Minimum Order Requirements are \$150.00 Domestic - \$250.00 International. Pricing is based on the quantity ordered. Please indicate a typical order quantity or Estimated Annual Usage when requesting pricing.