

THE SPECIALTY MFG. CO.

Custom Is Our Specialty

5858 Centerville Road
St. Paul, MN 55127

ISO 9001:2015
MADE IN THE USA

The Specialty Mfg. Co. will quote alternate materials or customize our standard products when quantities ensure competitive pricing.
Contact Customer Service at (651) 653-0599
FAX - (651) 653-0989
E-Mail - info@specialtymfg.com

MANIFOLD CARTRIDGE NEEDLE VALVE (.201 Inlet Port)



Example of how to order

Type	Seal	Needle	Inlet Port	Outlet Port	Knob
Needle Valve	Buna	3 Turn	.201 Orifice	.094 Orifice(X2)	Smooth Black ABS

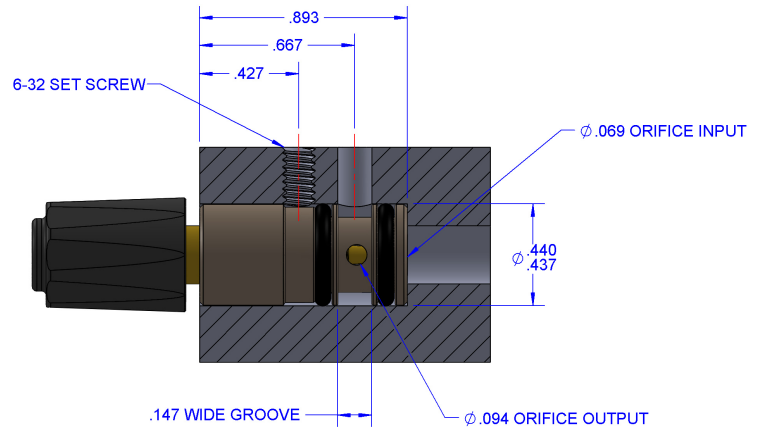
Part Numbers are a description of the valve as read left to right, Inlet Port to Outlet Port.
MCNV2SV-B,3T,.201,.094,SB = Needle Valve, Buna Seals, 3 Turn Needle, .201 Orifice Inlet x .094 Orifice (X2) Outlet, Smooth Black ABS Knob

Design Considerations

- The Manifold Cartridge .201 Needle Valves are a compact .201 Orifice x .094(X2) Orifice design
- Available with 1.5 Turn or 3 Turn Adjustment Needle
- Smooth or Ribbed Knob in Black or Gray ABS

*** Knobs are Optional ***

Body Cavity Dimensions



Specifications

Material	BODY and PANEL NUTS - Electroless Nickel Plated Brass
Seal Option	Buna-N, Ethylene Propylene, Fluoroelastomer (Viton®)
Needle Option	1.5 Turn Brass 3 Turn Brass
Input Port	.201 Orifice
Output Port	.094 Orifice (X2)
Knob	Smooth Black ABS, Smooth Gray ABS Ribbed Black ABS, Ribbed Gray ABS
Maximum Operating Pressure	0 to 125 psi
Maximum Operating Temperature	180 °F
Flow Rate	2.5 SCFM at 50 psi
Compatibility Statement	It is the sole responsibility of the system designer and user to select products suitable for their specific application requirements and to ensure proper installation, operation, and maintenance of these products. Material compatibility, product ratings and application details should be considered in the selection. Improper selection or use of products described herein can cause personal injury or product damage.
Pricing and Minimum Order Requirement	Our Minimum Order Requirements are \$150.00 Domestic - \$250.00 International. Pricing is based on the quantity ordered. Please indicate a typical order quantity or Estimated Annual Usage when requesting pricing.