



Vertically Integrated, Made in the USA

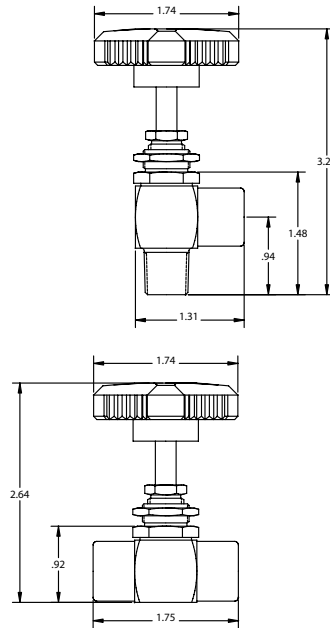
THE SPECIALTY MFG. CO.

5858 Centerville Road • St. Paul, MN 55127-6804

Tel: (651) 653-0599 • Fax: (651) 653-0989

www.specialtymfg.com • e-mail: info@specialtymfg.com

589 SERIES NEEDLE VALVE



Design Considerations

The 589 Series Needle Valve compact design promotes multiple configurations to fit the exact end use application. The 589 Needle Valve is rated to 500 psi and is available in an In-Line and Right-Angle version. The standard 589 Series Needle Valve has a Teflon® stem seal, Black Filled Polyester Knob, and a Brass Needle with 30 Degree Kel-F® Soft Tip for positive shut-off. Stainless Needle, Yellow Knob and 5 Degree Kel-F® Tip are optional. The panel mount requires a .563 hole and is supplied with one brass Hex nut. The maximum panel thickness is .125.

Maximum Operating Pressure — 500 psi
Maximum Operating Temperature — 180°F
Through Hole Diameter — .156

Options

Material Options	Brass Body, Teflon® Stem Seal
Needle & Tip Options	Brass Needle with 30 Degree Kel-F® Tip (Standard) Brass Needle with 5 Degree Kel-F® Tip Stainless Needle with 30 Degree Kel-F® Tip Stainless Needle with 5 Degree Kel-F® Tip Brass Needle with 5 Degree Brass Tip
Body Options	1/4 Female x 1/4 Female NPT 1/4 Male x 1/4 Female NPT – Right Angle 1/4 Female x 1/4 Female NPT – Right Angle
Handle Options	Black Filled Polyester Knob (Standard), Yellow Filled Polyester Knob, No Knob
Plating Options	No Plating (Standard), Electroless Nickel

Example of How To Order

Body 1/4 FNPT x 1/4 FNPT	Needle Brass 30 Degree with Kel-F Tip	Handle Yellow	Plating ENP
------------------------------------	--	-------------------------	-----------------------

SMC Part Number: 589-4F4F,ENP,BRS/KEL-F,30DEG,YEL HDL

SMC Part Numbers are a description of the valve as read left to right, Bottom Inlet to Side Outlet.
Example: 589-4F4F,ENP,BRS/KEL-F,30DEG,YEL HDL = 1/4 FNPT Inlet x 1/4 FNPT Outlet

SMC will quote alternate materials or customize our standard products when quantities ensure competitive pricing.