



Vertically Integrated, Made in the USA

THE SPECIALTY MFG. CO.

5858 Centerville Road • St. Paul, MN 55127-6804

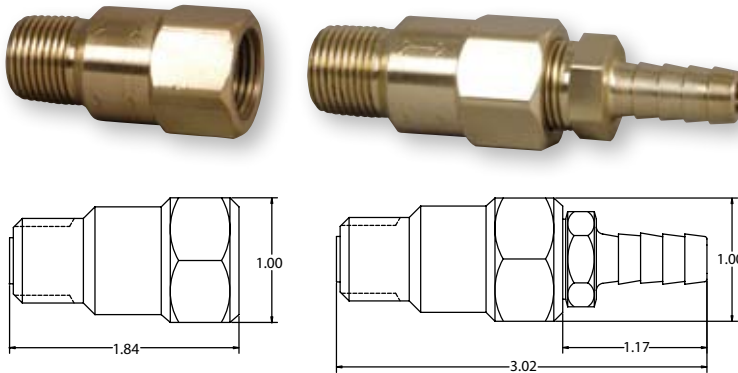
Tel: (651) 653-0599 • Fax: (651) 653-0989

www.specialtymfg.com • e-mail: info@specialtymfg.com

498 SERIES PRESSURE LIMITING VALVE

Design Considerations

The 498 Series Pressure Limiting Valve is designed for specific combinations of volume and pressure to fit the exact end use application. The 498 Series Pressure Limiting Valves are non-adjustable, tamper proof and will operate in any orientation. The system pressure will drop to approximately 50% of the Maximum Operating Pressure when the 498 is in By-Pass mode. The 498 Series Pressure Limiting Valve can be used as a Safety Valve "popping-off" at the threshold pressure and reseating after the system pressure returns to normal. Always select a valve with a pop-off pressure at least 100 psi above the maximum operating pressure. The 498 will operate within a variation of 10% plus or minus the system flow rate.



Maximum Operating Pressure — 1500 psi
Maximum Operating Temperature — 180°F

Options

Material Options Brass Body, Piston and Restrictor Orifice, 440 Hardened Stainless Steel Poppet, 303 Stainless Steel Seat, 17-7 Stainless Steel Spring, Buna-N Seals

Inlet End Options 3/8 Male NPT

Outlet End Options 3/8 Hose Barb (Standard), 3/8 Female NPT (NO BARB)

Standard 498 Series Model Numbers	Model	Volume and Pressure	Model	Volume and Pressure
	1G-4	1 GPM 300 PSI	3G-7	3 GPM 600 PSI
	1G-6	1 GPM 500 PSI	3G-9	3 GPM 800 PSI
	1.5G-6	1.5 GPM 500 PSI	3G-11	3 GPM 1000 PSI
	1.5G-13	1.5 GPM 1200 PSI	3G-12	3 GPM 1100 PSI
	2G-6	2 GPM 500 PSI	3G-17	3 GPM 1600 PSI
	2G-9	2 GPM 800 PSI	3.5G-11	3.5 GPM 1000 PSI
	2G-11	2 GPM 1000 PSI	4G-9	4 GPM 800 PSI
	2G-13	2 GPM 1200 PSI	4G-11	4 GPM 1000 PSI
	2G-14	2 GPM 1300 PSI	4G-13	4 GPM 1200 PSI
	3G-6	3 GPM 500 PSI	4G-16	4 GPM 1500 PSI

Example of How To Order

Model
3G-11

Outlet End
No Barb

SMC Part Number: PRESSURE LIMITING 3G-11,NO BARB

SMC Part Numbers are a description of the valve flow and pressure combination and outlet end option.
Example: PRESSURE LIMITING 3G-11,NO BARB = 3/8 MNPT Inlet x 3/8 Barb Outlet, 3 GPM at 1,000 PSI

SMC will quote alternate materials or customize our standard products when quantities ensure competitive pricing.